

HORNE LIGATURE RESISTANT SHOWER PANEL WITH PUSH BUTTON TIMED FLOW CONTROL, VANDAL RESISTANT SHOWER HEAD, ILTDU AND PIPE COVER

Includes integral TMV3 Scheme approved Horne 15 thermostatic mixing valve pre-plumbed within a white powder coated aluminium panel with ligature resistant timed flow control, vandal and ligature resistant shower head in chromium plated finish, integral In-line Thermal Disinfection Unit and 465mm Pipe Cover.



FEATURES & BENEFITS

- Robust, anodised and powder coated (RAL 9010) panel and fittings ensure long lifespan
- Integral TMV3 Scheme Approved Horne 15 thermostatic mixing valve
- In-Line Thermal Disinfection Unit with easy operation for periodic disinfection of pipe-work, valve and downstream fittings using local hot water supply
- 465mm Pipe Cover in same profile as panel with key access point for ILTDU operation
- Fixed vandal and ligature resistant shower head. Easy to clean and maintain with large spray plate and two spray settings
- Integral 8 L/min flow regulator for water and energy conservation
- Timed flow control with ligature resistant shroud for water and energy conservation. Approx. duration 45s
- Low level integral servicing valves for ease of maintenance and performance testing
- Highly suitable for retrofit applications
- Fast and easy installation
- Full assembly pressure tested to 16 bar.

The Horne 15 thermostatic mixing valve is WRAS & TMV3 Scheme approved



Certificate No. FM 1224

The **T109T4LR** shower panel is pre-plumbed with Type 3 approved Horne 15 thermostatic mixing valve, which features:

- Low level servicing valves
- Integral fine mesh strainers provide essential protection to internal mechanism of the valve and ancillary fittings
- Angle pattern inlets enable easy access to the strainers
- Integral check valves prevent cross migration of water supplies
- Flushing facility to allow water supplies to be flushed clean during commissioning

Operating Conditions:

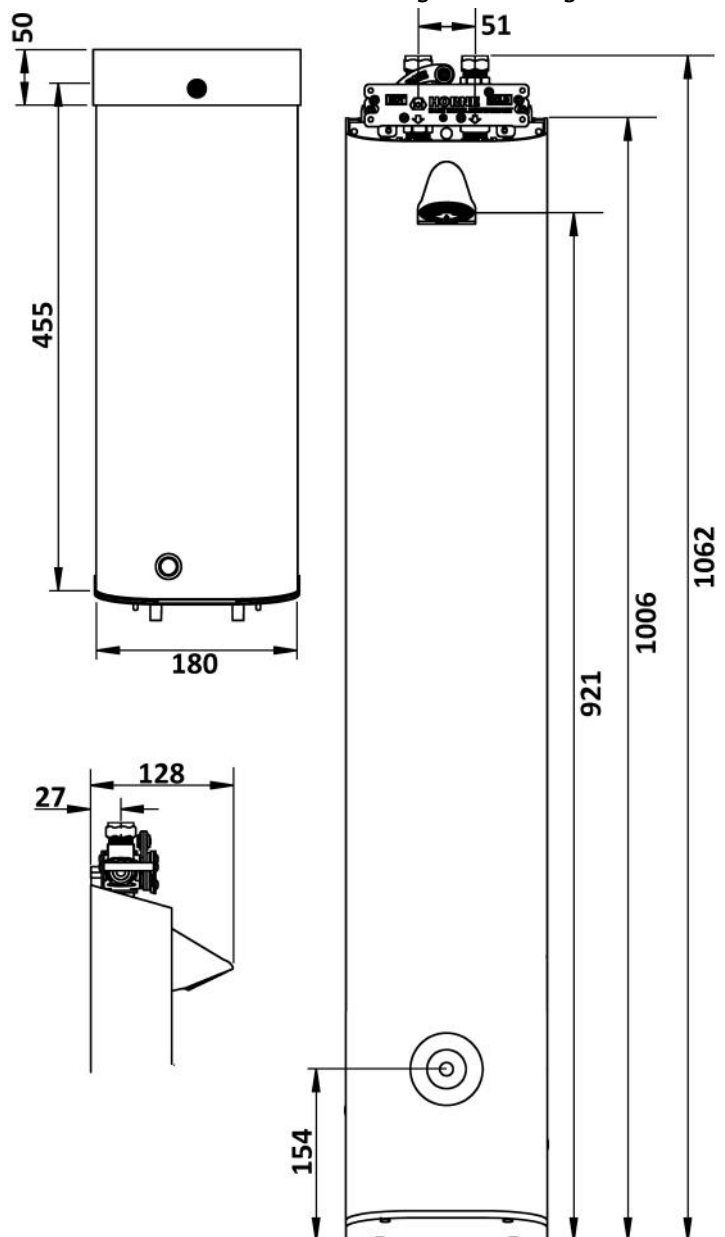
- Range of temperature adjustment up to pre-set maximum, usually 41°C at the shower head
- Range of hot water supply temperature: 52 — 85°C
- Maximum static pressure: 10 bar
- Minimum differential between hot water temp. and mixed water temp.: 5°C
- Range of maintained water supply pressures: 0.5-5 bar

Hot and cold water pressures do not need to be equal. The lower of the two pressures, however, should not be less than 0.5 bar maintained at the shower head.

Thermal Disinfection using the ILTDU

For an explanation of its operating principals and further information on the recommended disinfection procedure, please refer to our ILTDU brochure and instructions.

Dimensions in mm



TOTAL HEIGHT OF PANEL + PIPECOVER
= 1006 + 2 + 455 + 50 - (OVERLAP)

- OVERLAP IS VARIABLE, 20-40MM
- 455 LENGTH CAN BE CUT TO SUIT

