

S407A SHOWER PANEL

HORNE SHOWER PANEL WITH PUSH BUTTON TIMED FLOW CONTROL, FLEXIBLE HOSE, SLIDE BAR AND THREE FUNCTION SHOWER HEAD

Including push button timed flow control pre-plumbed within a white (RAL 9010) powder coated aluminium panel with shower kit comprising chromium plated three function easy clean shower hand set with flexible hose and slide bar.

For use with pre-blended water supply only



FEATURES & BENEFITS

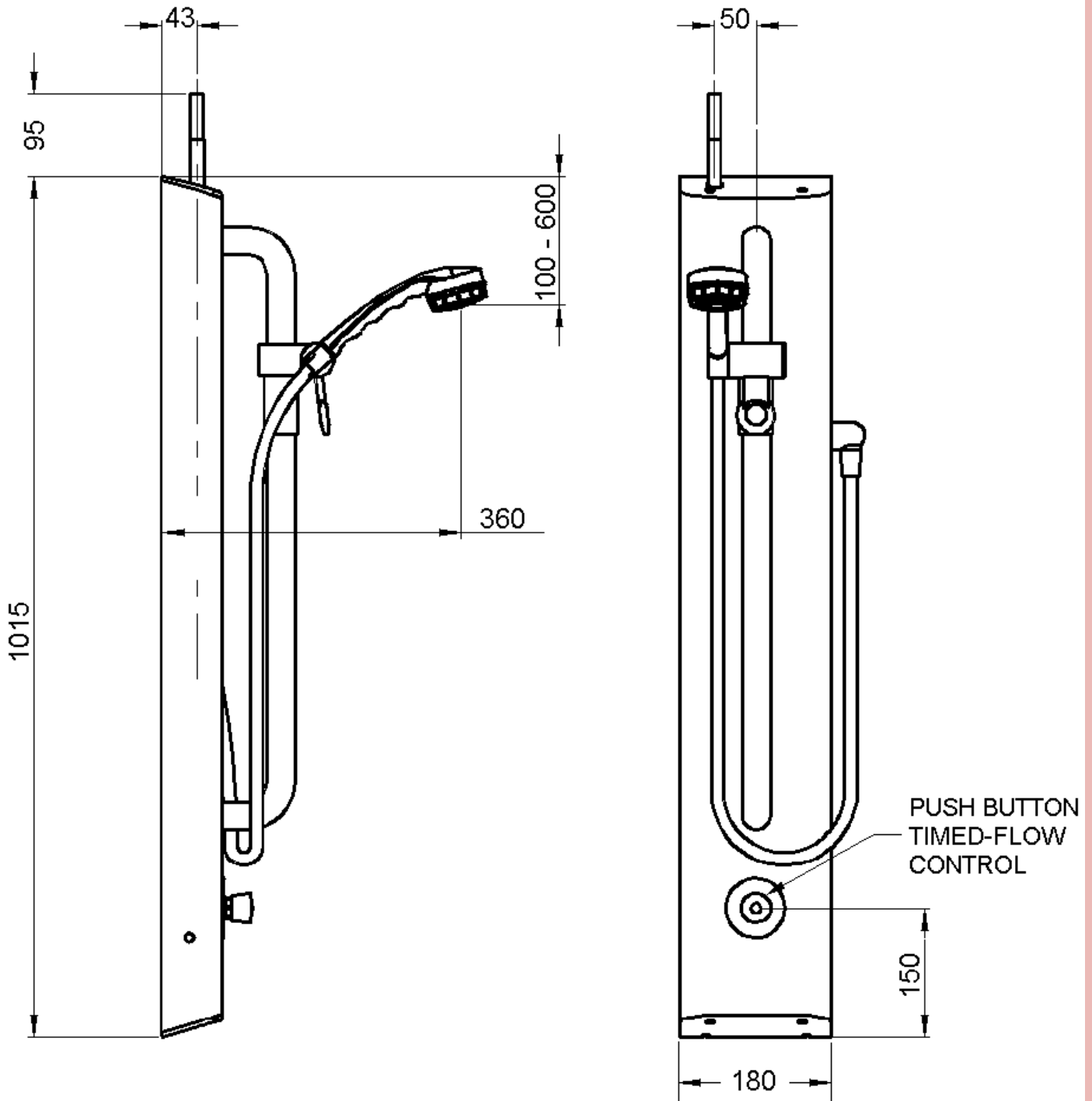
- Durable powder coated (RAL 9010) panel and robust fittings ensures long lifespan
- Pressure tested pre-plumbed assembly
- Timed flow control for water and energy conservation (approx. duration 45 seconds)
- Integral 8 L/min flow regulator for water and energy conservation
- Three function handset with flexible, anti-kink hose and slide bar
- Highly suitable for retrofit applications
- Fast and easy installation
- Optional Accessory:
- pipe cover in same profile as panel

This panel should be supplied with mixed water from a suitably sized Horne group mixing valve. Refer to the group TMV datasheet.



Certificate No. FM 1224

Dimensions in mm



HORNE ENGINEERING LTD, PO BOX 7, Rankine Street, Johnstone, PA5 8BD.
Tel: +44 (0)1505 321455 Fax: +44 (0)1505 336287
Email: sales@horne.co.uk web: www.horne.co.uk