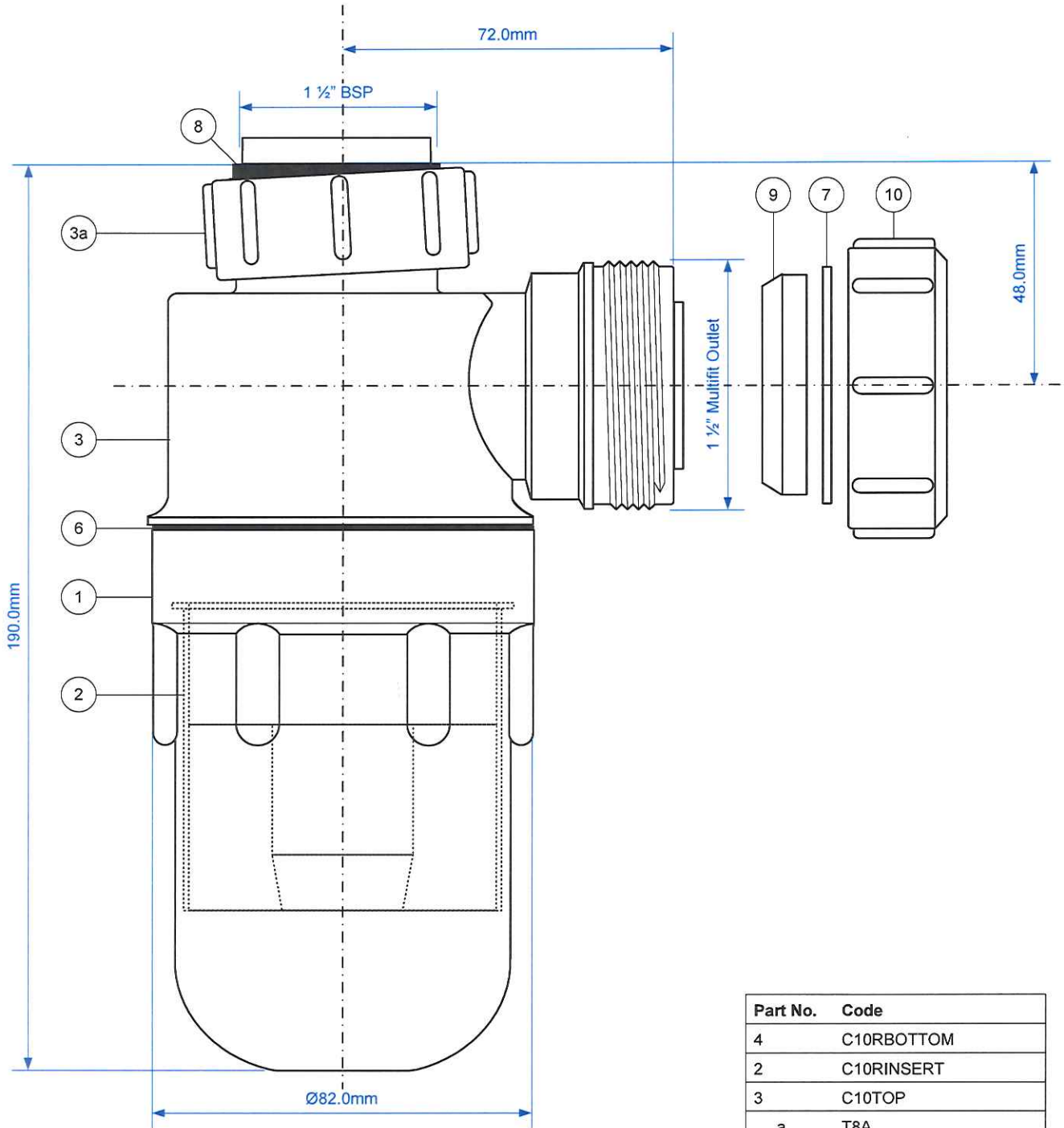


Code:

C10R



Part No.	Code
4	C10RBOTTOM
2	C10RINSERT
3	C10TOP
a	T8A
4	P-B-S260X350MC
5	P-C-S1H
6	P-OR-C10R
7	PWM2
8	RW2
9	RWM2
10	T8M

Drawing verified
correct as of:

12/06/2015
RM

DRAWN BY
RM

REVISED
11/09/2014, 12/06/2015

FILENAME
C10R.VSD

SCALE
1: 1.25

DATE
12/06/2015