

Portman 21 Washbasin 50cm LH Taphole, No Overflow Or Chainstay Hole

ILLUSTRATED

- S2308** (LB G M) Portman 21 washbasin 50cm, 1 left hand taphole no overflow, no chainstay hole
- A6697** (TP6) Contour 21+ 1 hole thermostatic basin mixer, single sequential lever with copper tails
- S8722** Waste 1¼" brass strainer waste, 80mm slotted tail
- S8920** (TRR1/P) Trap 1¼" plastic resealing bottle, 75mm seal, multi-purpose outlet

OPTIONS

- E0157** Wall fixing set
- E0062** Basin fixing set for IPS panels or block walls
- S8734** Waste 1¼" brass swivel plug waste, 80mm unslotted tail
- S8900** Trap 1¼" metal bottle, 75mm seal, outlet screwed 1¼" BSP male with compression nut and ring



ILLUSTRATED PRODUCT DETAILS

Sizes

S2308 w:50 x d:42



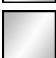

Weights

S2308 12.73 KG
A6697 2.10 KG
S8722 0.22 KG
S8920 2.00 KG

Materials

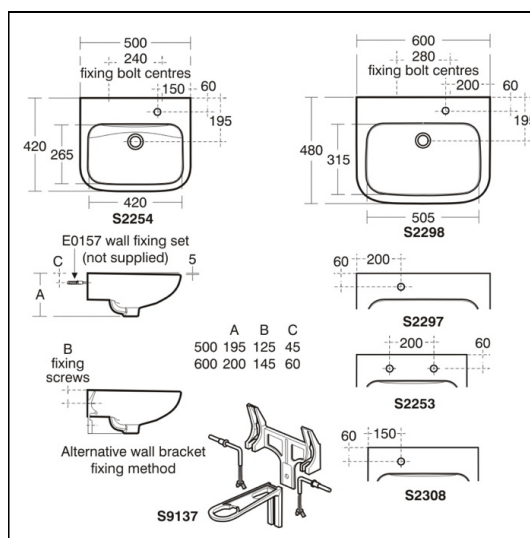
S2308 Vitreous China
A6697 Chrome Plated Brass
S8722 Chrome Plated Metal
S8920 Plastic

Finishes

- S2308**  White (01)
- A6697**  Chrome (AA)
- S8722**  Chrome (AA)
- S8920**  Neutral / No Finish (67)

Flow rates

A6697 3.9 Litres per minute @ 3 bar pressure



FEATURES

