

Contour 21 Lever Thermostatic Shower Valve Mounted In Box

ILLUSTRATED


A4314 Contour 21 lever operated sequential thermostatic shower mixing valve with mounting box, combined isolating and non-return valves with filters

ILLUSTRATED PRODUCT DETAILS

Weights

A4314 6.20 KG

Finishes

A4314  Stainless Steel finish (MY)

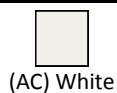
Materials

A4314 Stainless Steel

Flow rates

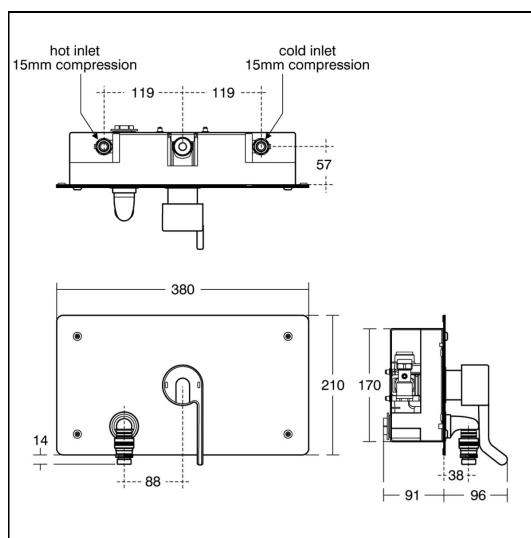
A4314 4.7 Litres per minute @ 3 bar pressure

FINISH OPTIONS



Special Notes

Supplied with A4129AA TMV3 approved shower valve. Minimum operating pressure 1 bar delivering 6 litres per minute.



ACCREDITATIONS



FEATURES

