

Sensorflow 21 Compact Washbasin Spout Integral Sensor, Mains

ILLUSTRATED

A4852 Sensorflow 21 compact washbasin mounted spout with integral sensor, 3.7 litre per minute aerated spray outlet, combined inlet servicing valve and filter, mains

ILLUSTRATED PRODUCT DETAILS

Weights

A4852 1.60 KG

Finishes

A4852  Chrome (AA)

Materials

A4852 Chrome Plated Brass

Flow rates

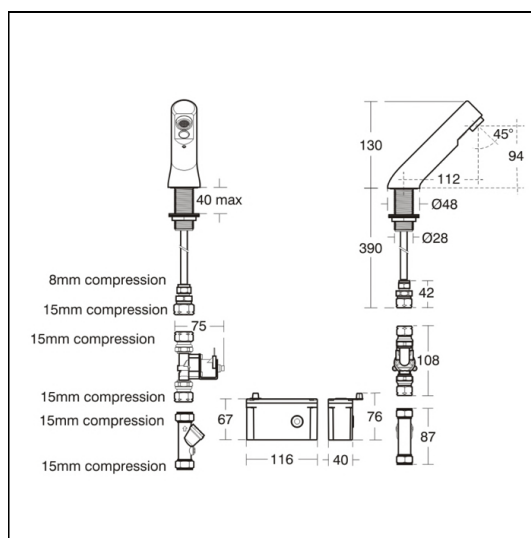
A4852 3.7 Litres per minute @ 3 bar pressure

FINISH OPTIONS



Special Notes

All spouts supplied with individual solenoid valve and combined servicing valve including filter. Consideration should be given to safe hot water delivery and the use of an appropriate temperature reduction device, please see A5900AA (for use with 15mm pipework) or A5901AA (for use with 22mm pipework). Spouts with integral sensors detect hands within the sensing range and the solenoid valve is opened. Automatically shuts off if sensor is obstructed for a maximum of 50 seconds. Flow rate 3.7 litres per minute with fitted flow regulator.



ACCREDITATIONS

A4852(AA)



1210027

FEATURES

