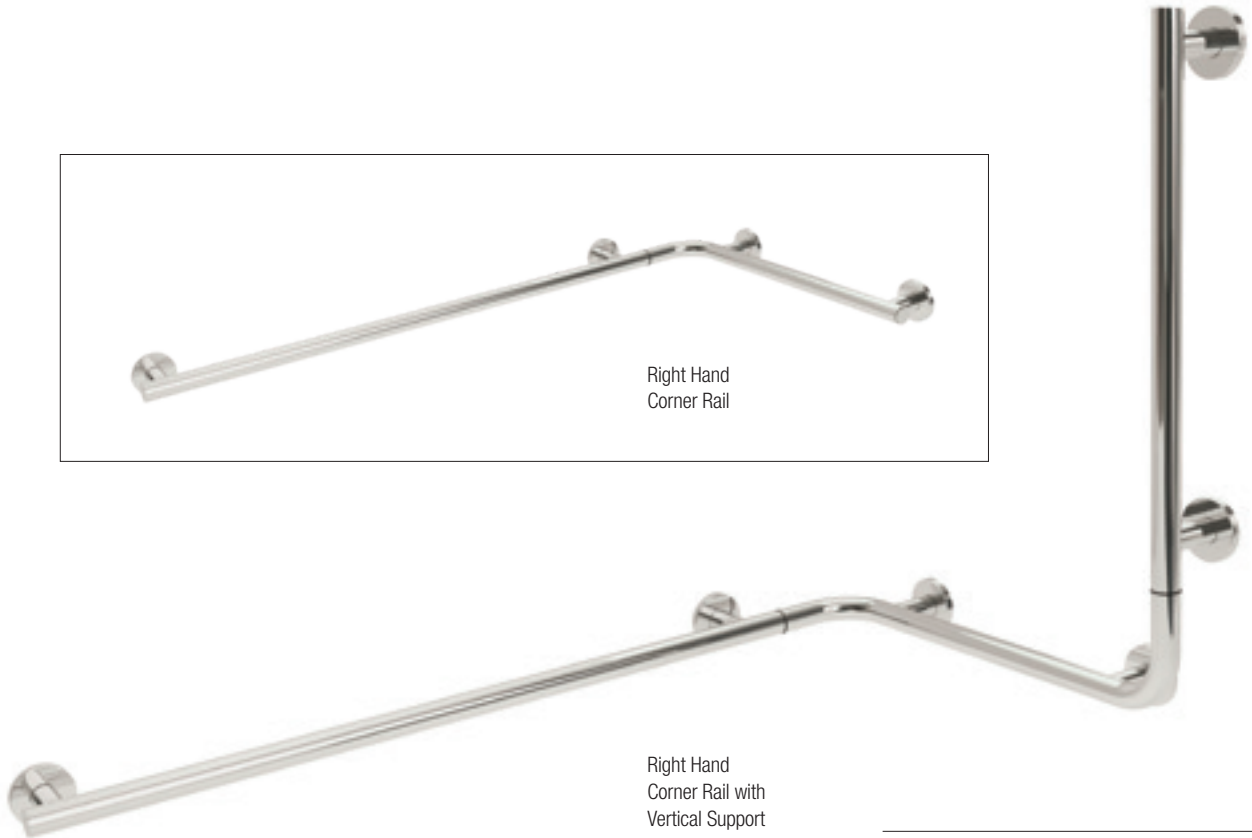


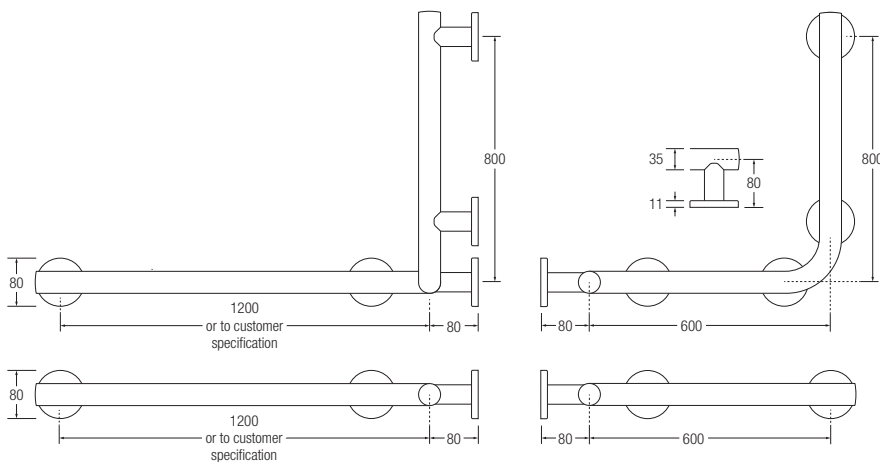
35mm Stainless Steel Yardley Corner Rails



35mm Corner Rail

- 
Mirror Polish
- 
Sateen Polish
- 
White
- 
RAL Colour

SS	No Vertical Support	19090MP	19090SP	19090WH	19090CO	
SS	With Vertical Support	19095MP	19095SP	19095WH	19095CO	



- 35mm
- Stainless Steel
- Left Hand
- Right Hand

- This product is usually made to customer specifications. Please call to discuss your requirements.
- Minimum projection distance from the wall for when space is at a premium.
- Stylish, low profile cover plates.
- Perfectly shaped machined support legs.
- Available in mirror polished, sateen polished and polyester coated finishes. Please specify the RAL colour you require when ordering colours.
- Fixing holes to fit size 8 screws. (Fixings not supplied)

+ Ribbed Grip

Yardley Corner Rails can be manufactured with a ribbed grip for extra stability and confidence. **Please add an 'R' to the end of the product code.**