

RADA T1 300 AND T1 320 TIMED FLOW SHOWER CONTROL



- WRAS Approved
- KIWA Approved
- Robust design
- Vandal resistant control knob
- Energy and water saving - adjustable flow
- Easy servicing - one piece cartridge
- Non-concussive action



Specify as: Rada T1 300 (2.1762.055)

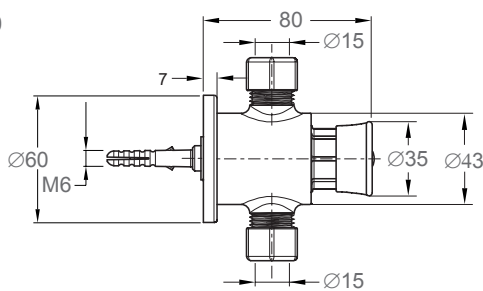
Surface mount, chrome finish, push-button shower control with 30 (±10) seconds time flow.

Specify as: Rada T1 320 (2.1762.054)

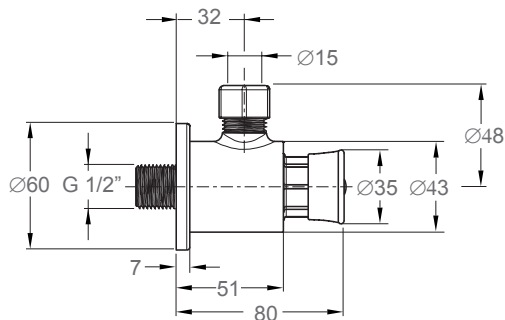
Surface mount, chrome finish, push-button shower control with 30 (±10) seconds time flow.

Dimensions (mm)

T1 300

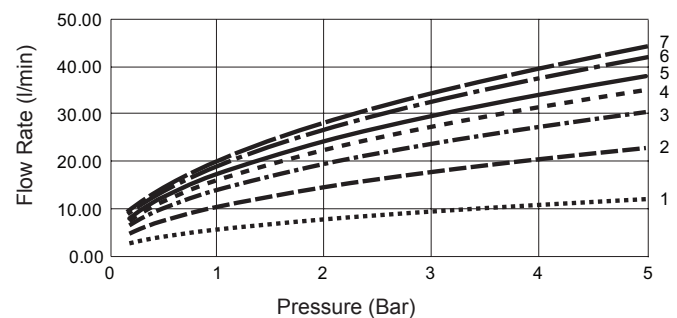


T1 320



The internal time flow cartridge provides a choice of 7 flow settings to give the most economical flow rate over the pressure range available. The cartridge is factory set in the minimum flow restriction position. This can be adjusted to suit individual site requirements.

Flow



GROUP SHOWERING

TECHNICAL SPECIFICATION

Installation and Maintenance

Please refer to the appropriate Product Manual.

Connections

T1 300 Inlet/Outlet: 15 mm compression

T1 320 Inlet: 1/2" BSP male parallel thread
Outlet: 15 mm compression

Approvals

WRAS listed (Water Regulations Advisory Scheme).

KIWA UK Approved.

Designed, manufactured and supported in accordance with accredited BS EN ISO 9001:2008 Quality Management Systems and BS EN ISO 14001:2004 Environmental Management Systems.

Operation

The shower controls are designed to give approximately 30 (+/- 10) seconds of flow duration when the button is pressed and released.

Materials

Body: Chrome plated brass

Push Button: Chrome plated brass

Pressures

Minimum Operational Pressure: **0.2 bar**

Maximum Operational Pressure: **5 bar**

Maximum Static Pressure: **10 bar**

Weight

Product	Gross weight (kg)	Total Packaged Weight (kg)
Rada T1 300	0.545	0.625
Rada T1 320	0.505	0.585

Kohler Mira Limited
Cromwell Road, Cheltenham
Gloucestershire, GL52 5EP

Specification Enquiries
Tel: 0844 571 1777, Fax: 0844 472 3076
Email: rada_technical@mirashowers.com
www.radacontrols.com

Rada is a registered trademark of Kohler Mira Limited.

The company reserves the right to alter product specification without notice.

© January 2012 Kohler Mira Limited. All rights reserved.

No part of this document, or any accompanying document, may be reproduced or transmitted in any form or by any means, including photocopying or electronically, without the permission of Kohler Mira Limited.

A **KOHLER** COMPANY



FM 14648

